

COMPRESSOR

| | |
|---------------------------------|-----------------|
| Displacement (cm ³) | 34.42 |
| Diameter (mm) | 42.87 |
| Stroke (mm) | 23.85 |
| Net Weight (Kg) | 22.7 |
| Oil type | ISO VG 46 ESTER |
| Oil charge (cm ³) | 887 |

MOTOR

| | |
|------------------------------|-----------|
| Approximate Power (CV) | 1 |
| Voltage/Frequency (V/Hz) | 220V 50Hz |
| Voltage range (V) | 187-264 |
| Code | 82,169 |
| Type | CSR |
| Phase number | 1 PH |
| Locked rotor current (A) | 39.0 |
| Main W. resist. at 25°C (Ω) | 1.53 |
| Start W. resist. at 25°C (Ω) | 4.79 |

APPLICATION

| | |
|-------------------------|-------------------|
| Application | Low back pressure |
| Refrigerant | R404A |
| Evaporating (°C) | -40 to -10 |
| Expansion | Capillar/Valve |
| Comp. cooling | Fan cooled |
| Max. ambient temp. (°C) | 43 |

NOMINAL PERFORMANCE

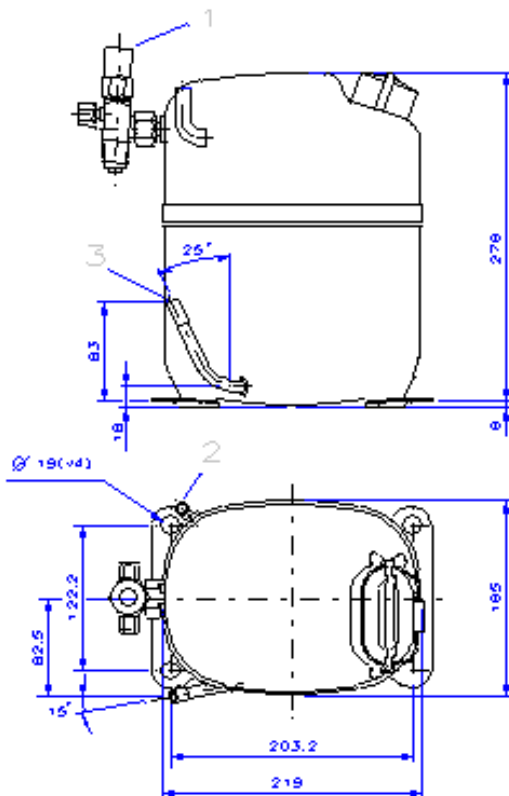
| | CYCLE A | CYCLE B |
|----------------------|---------|---------|
| Cooling capacity (W) | 1089 | 1628 |
| Input power (W) | 1140 | 1205 |
| EER (kcal/Wh) | 0.82 | 1.16 |
| COP (W/W) | 0.95 | 1.35 |
| Current (A) | 6.12 | 6.39 |

TEST CONDITIONS

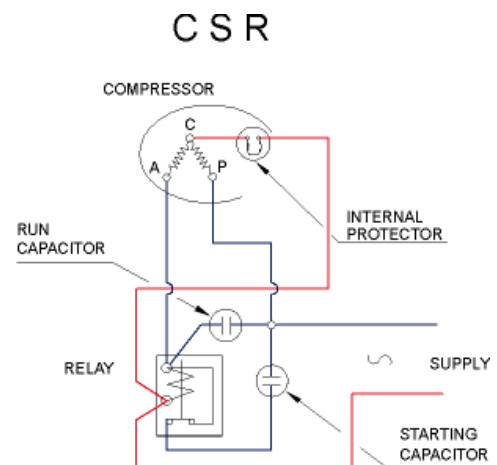
| | CYCLE A | CYCLE B |
|-----------------------------|-----------|-----------|
| Evaporating temp. (°C) | -25.0 | -23.3 |
| Condensing temp. (°C) | 55.0 | 55.0 |
| Liq.t. entering expan. (°C) | 55.0 | 32.0 |
| Ambient t. and return (°C) | 32.0 | 32.0 |
| Tens/Freq (V/Hz) | 220V 50Hz | 220V 50Hz |

ELECTRICAL COMPONENTS

| | | |
|--------------------------------|--------------|----------|
| Relay | 3ARR3 10AA3 | RVA 4M.. |
| Pick-Up (A) | 239-270 | 242-270 |
| Drop-Out (A) | 50-110 | 50-110 |
| Protector | Internal | |
| Current (A) | | |
| Time check (seg) | | |
| Disc temp. (Open/Close) (°C) | | |
| Starting capacitor (μF/V)/F/V) | 88-108 / 330 | |
| Run capacitor (μF/V) | 20 / 400 | |

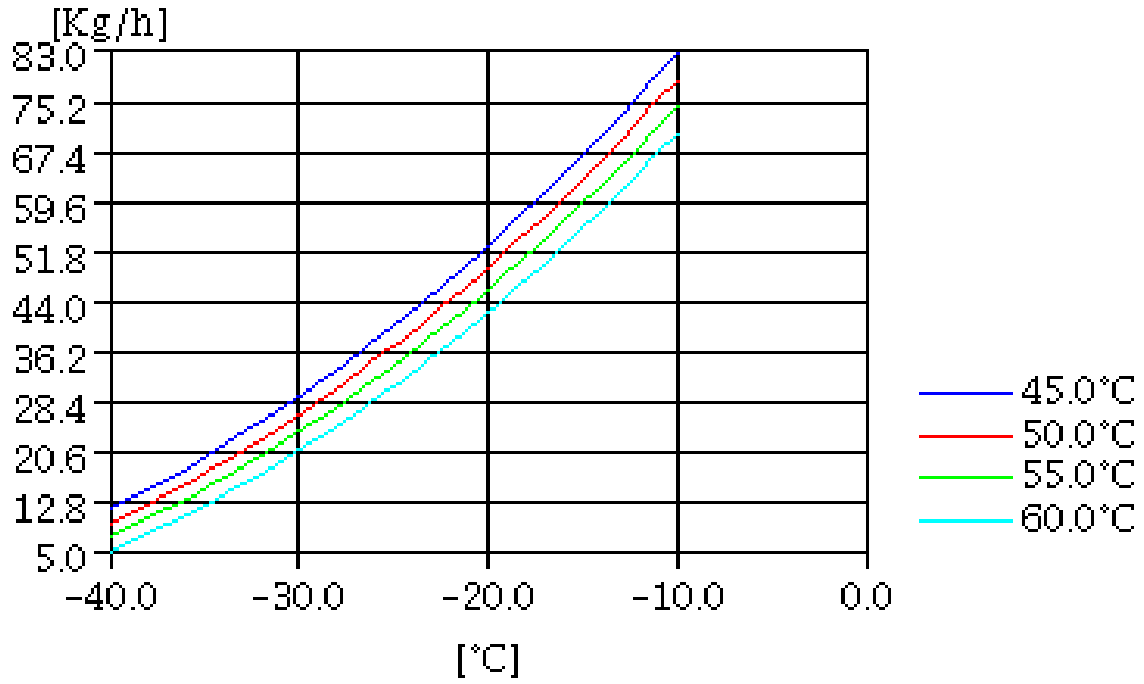
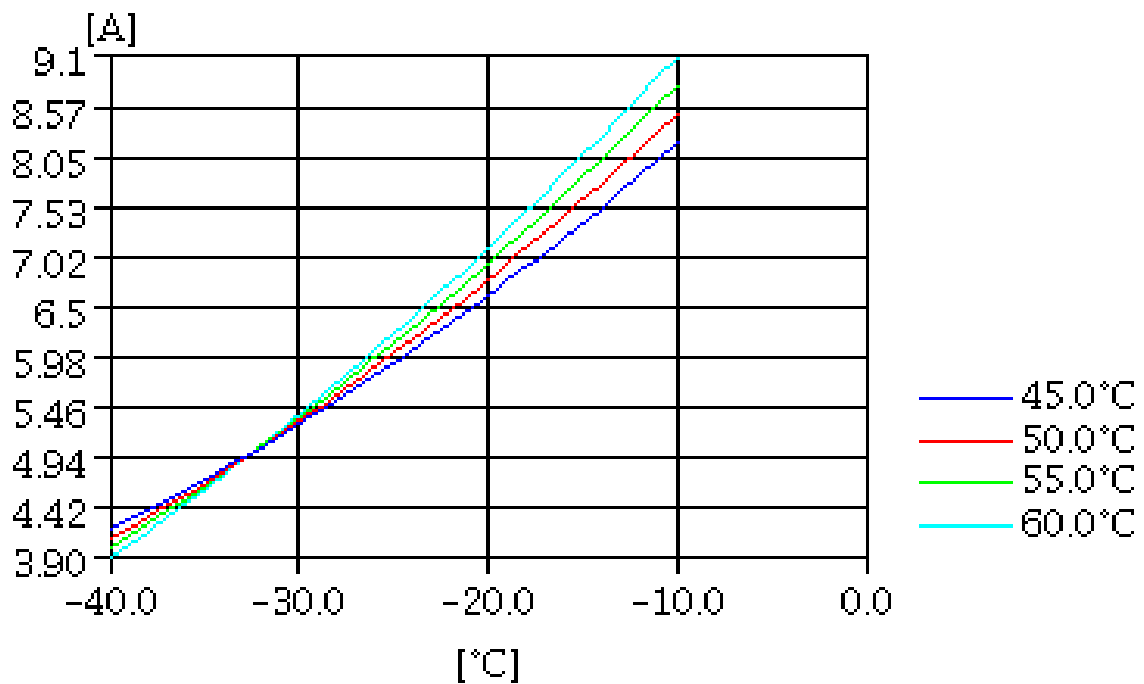
DIMENSIONS AND ELECTRICAL DIAGRAM


| DESIGNATION | INTERNAL DIAM. (MM) |
|---------------|---------------------|
| 1 Válv. Serv. | 5/8" SAE |
| 2 Service | 9.6 |
| 3 Discharge | 8.0 |



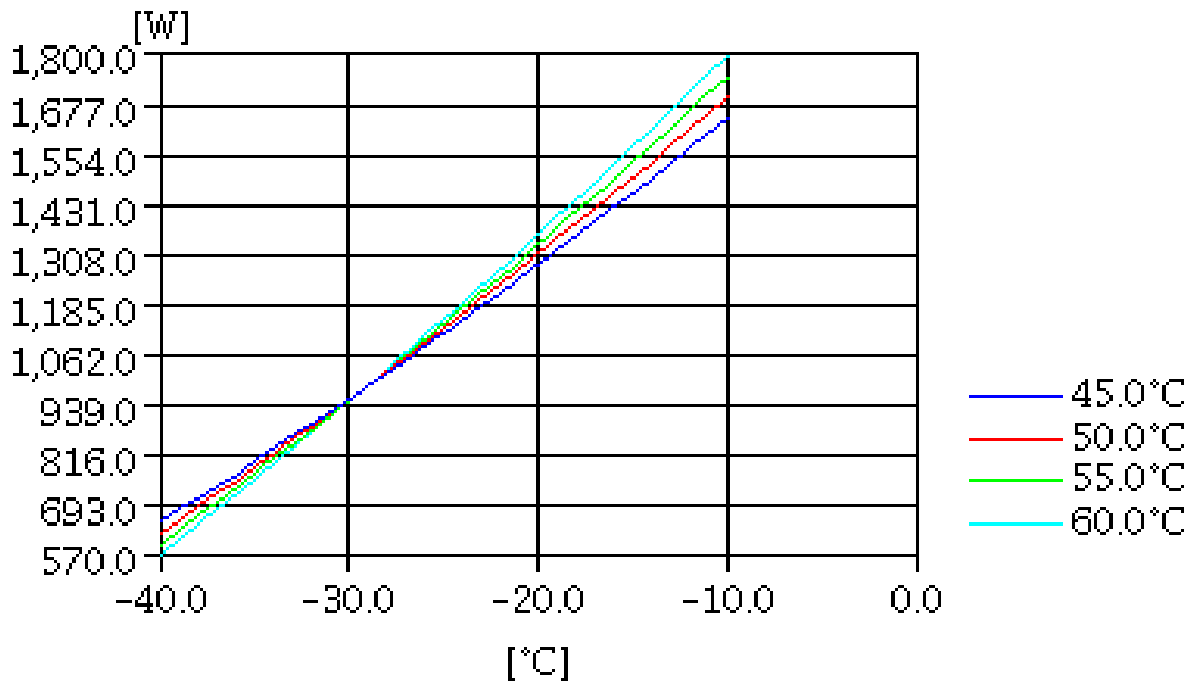
TEST CONDITIONS

| | |
|------------------------|---------------------|
| Voltage/frequency | 220V 50Hz |
| Ambient t. and return | 32 °C |
| Liq.t. entering expan. | Subcooling at 32 °C |

MASS FLOW

CONSUMPTION


TEST CONDITIONS

| | |
|------------------------|---------------------|
| Voltage/frequency | 220V 50Hz |
| Ambient t. and return | 32 °C |
| Liq.t. entering expan. | Subcooling at 32 °C |

INPUT W

COOLING CAPACITY
