

# W2E142 Series

Tubeaxial

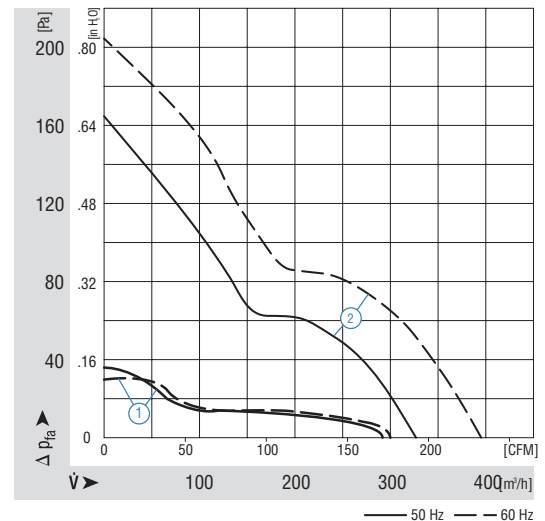
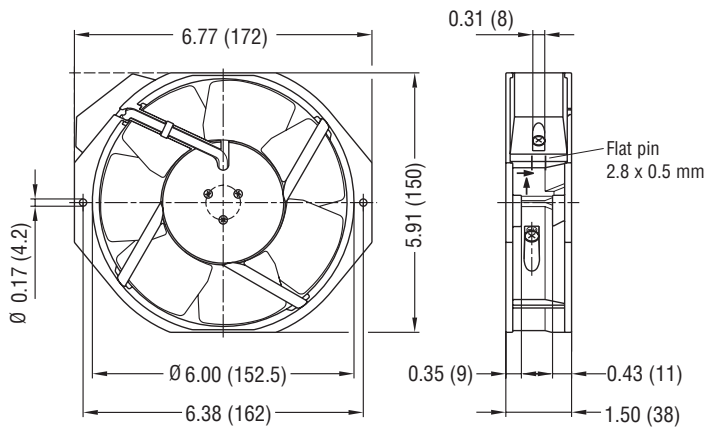
150x172x38mm



- AC fans with PSC motor.
- Die-cast aluminum housing. Impeller of sheet-steel, directly welded onto rotor.
- Air exhaust over struts. Rotational direction CCW looking at rotor.
- Mounting from either face using two 4.3 mm holes.
- Electrical connection via 2 flat pin terminals 2.8 x 0.5 mm.
- Mounting from either face using 2 4.3 mm (.169") holes.
- UL, CSA, VDE approvals on some models, please contact application engineering.

Part Number	Curve	CFM @ 0	VAC	Hertz	Power (W)	dBA	Max Amb. Temp C	Bearing Type	Features	Wgt. (lbs)
W2E142-CC13-16	1	175	115	60*	16	54	75	Ball	Terminals	1.98
W2E142-BB05-01	2	230	115	60*	24	57	70	Ball	Terminals	1.98
W2E142-CC15-16	1	175	230	60*	16	54	75	Ball	Terminals	1.98
W2E142-BB01-01	2	230	230	60*	28	57	70	Ball	Terminals	1.98

\* 50 Hz data available upon request



**ebmpapst**

e-mail: [sales@us.ebmpapst.com](mailto:sales@us.ebmpapst.com) · TEL: 860-674-1515 · FAX: 860-674-8536

ebm-papst Inc., 100 Hyde Road, Farmington, CT 06034 USA

ebm-papst Inc., 2006 © ebm-papst Inc. reserves the right to change any specifications or data without notice

# Mouser Electronics

Authorized Distributor

Click to View Pricing, Inventory, Delivery & Lifecycle Information:

[ebm-papst:](#)

[W2E142-BB05-28](#) [W2E142-BB05-01](#) [W2E142-BB01-01](#) [W2E142-CC13-16](#) [W2E142-CC15-16](#) [W2E142-BB01-31](#)  
[W2E142-BB01-21](#) [W2E142-BB05-10](#) [W2E142-BB01-22](#) [W2E142-BB01-28](#)