

Valid for 10018740, 10018741, 10018743, 10018744



Read the installation instructions for the units and observe the safety information.

The target group for this installation manual is trained qualified personnel entrusted with the technical functioning and operation of the unit.

Safety instructions

Organizational measures

Risk of property damage and personal injury from lack of organizational measures

- Use equipment and protective gear suitable for the activity.

Danger of electric shock from live components.

- Prior to working on the electrical system, switch off the unit, disconnect the electrical system from the mains and prevent power from being switched on again. Check to ensure the system is dead.
- Use only insulated tools.

Preparatory work

INFORMATION

Close the customer-supplied water supply before starting work

Opening and closing the unit



Open and close the unit according to the service instructions.

FlexiCombi

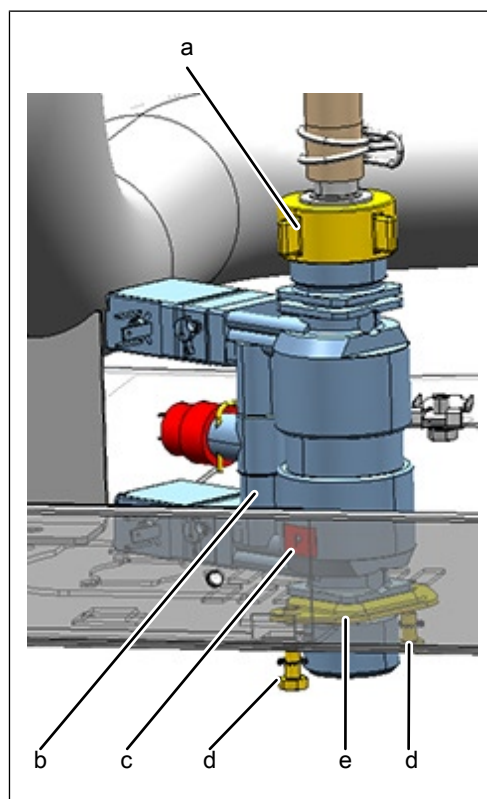
→ Remove the left side wall.

SpaceCombi, SpaceCombi Team

→ Remove the rear panel.

Removing the steaming unit

Countertop unit

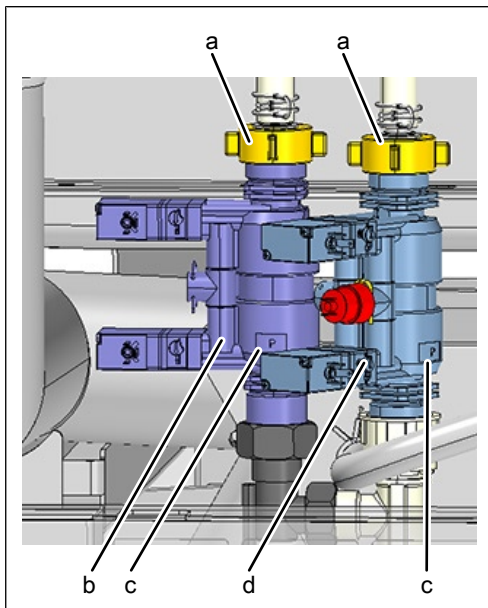


- | | |
|--------------------------------|---------------------------|
| a Screw connection output side | b DynaSteam steaming unit |
| c Marking "P" | d Screw |
| e Mounting plate | |

- Dismount water supply.
- Dismount connectors on both magnetic valves.
- Unplug connector from the pressure switch (if present).
- Dismantle the screw connection on the output side.
- Remove the screws on the unit bottom.
- Remove the steaming unit with the mounting plate.
- Remove the mounting plate.

Change the steaming unit

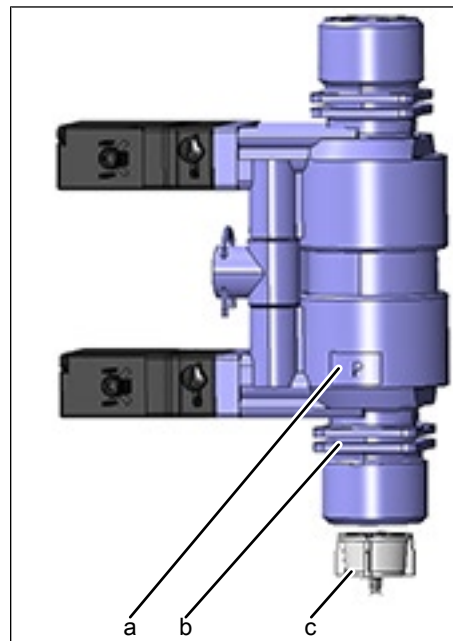
Floor-standing unit



- | | |
|-----------------------------------|------------------------------|
| a Screw connection
output side | b DynaSteam steaming
unit |
| c Marking "P" | d DynaSteam steaming
unit |

- Reduce water pressure in the supply line.
- Dismount connectors on both magnetic valves.
- Unplug connector from the pressure switch (if present).
- Dismantle the screw connection on the output side.
- Disassemble the steaming unit.

Installing the steaming unit



- | | |
|------------------------------|--------------|
| a Marking "P" | b Fine sieve |
| c DynaSteam steaming
unit | |

- Reassembly is carried out in reverse order.
- Take over the removed retaining plate (only for tabletop unit).
- The marking "P" must be on the bottom. The sieve on the intake side must always be present.
- Hand-tighten the screw connections and then tighten carefully with water pump pliers.
- Before closing the unit, check screw connections for tightness.