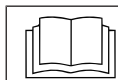


Applies to gas fans 202606, 203994



Read the installation instructions for the units and observe the safety information.

The target group for this installation manual is trained qualified personnel entrusted with the technical functioning and operation of the unit.

1 Safety

Organizational measures

Risk of property damage and personal injury from lack of organizational measures

- Use equipment and protective gear suitable for the activity.

Danger of electric shock from live components.

- Prior to working on the electrical system, switch off the unit, disconnect the electrical system from the mains and prevent power from being switched on again. Check to ensure the system is dead.
- Use only insulated tools.

Risk of explosion and fire from improper connection

- Prior to working on the gas system, switch off the unit, close the gas supply from the gas system and secure it against being reopened. When bleeding air or degassing, ensure that the air and gas are discharged to the outside in a technically correct manner and without creating a risk.

2 Preparations

Remove the left side wall.

3 Gas magnetic valve

3.1 Overview

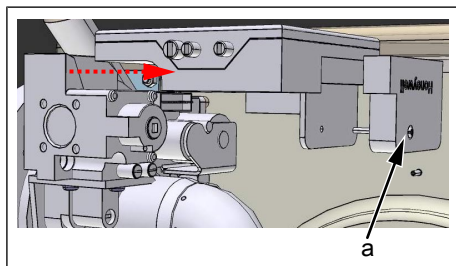


Image: Fastening the ignition electrode

a Screw

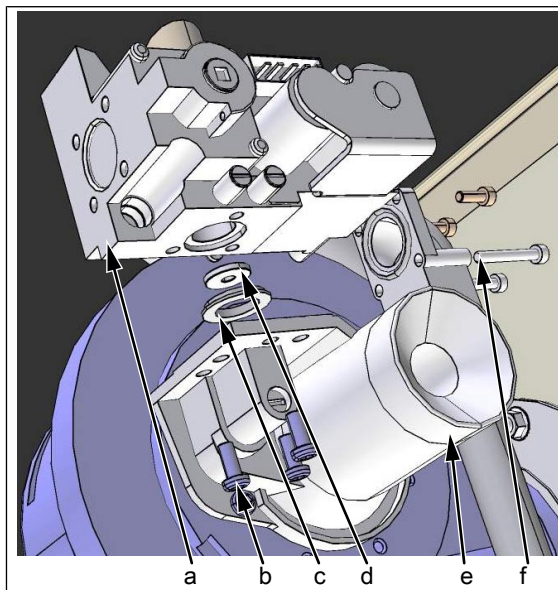


Image: Fastening the gas solenoid valve

- | | |
|----------------------|---|
| a Gas magnetic valve | b Screws for fastening the gas solenoid valve |
| c Seal | d Gas orifice |
| e Venturi pipe | f Screws for gas hose (supply line) |

3.2 Disassembly

Ignition electronics

- Remove screw.
- Remove the cover.
- Remove electrical connections.
- Remove ignition electronics from the solenoid valve.

Magnetic valve

- Remove supply pipe from Venturi pipe
- Remove three fastening screws from the Venturi pipe.
- Remove magnetic valve.
- Detach gas hose.
- Remove gas orifice and seal.

4 Gas fan

4.1 Overview

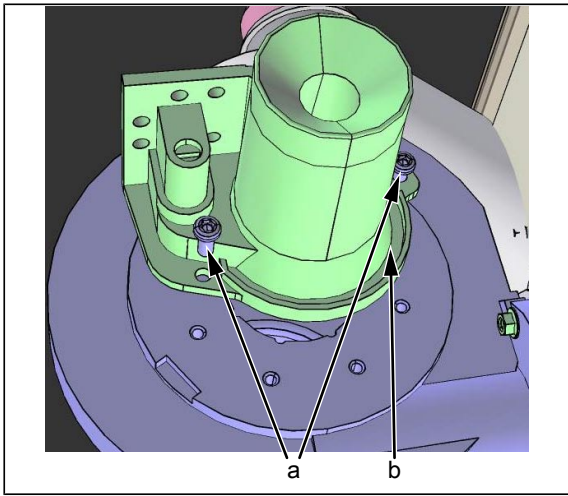


Image: Fastening the Venturi pipe

- a Screw
- b Venturi pipe

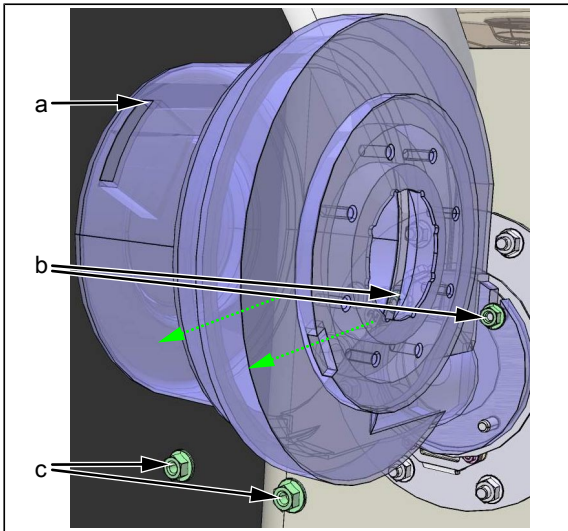


Image: Fastening the gas fan

- a Gas fan
- b Top nut
- c Bottom nut

4.2 Disassembly

- Loosen screws and remove the Venturi pipe.
- Unplug connector from gas fan.

- Loosen top nuts on gas fan (do not remove).
- Remove bottom nuts from gas fan.
- Remove gas fan.

5 Assembly

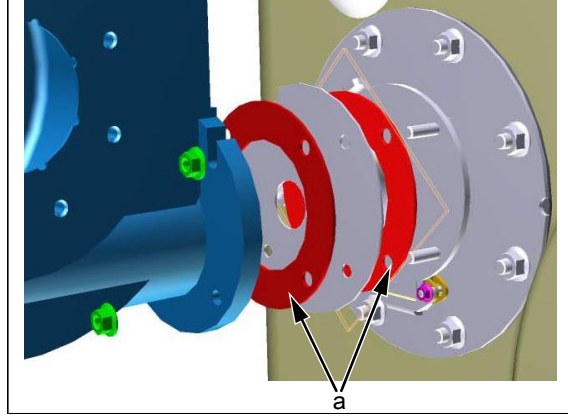


Image: Gas fan seals

- a Seal

- Reassembly is carried out in reverse order. The seals on the gas fan must be replaced.
 - ↳ Install screws for the gas fan using anti-seize paste and tighten to a torque of 5 Nm.
 - ↳ Install screws for the Venturi pipe using anti-seize paste and tighten to a torque of 3 Nm.
 - ↳ Install screws for the gas hose using threadlocker (e.g. Loctite 586) and tighten to a torque of 3 Nm.

⚠ WARNING

Risk of asphyxiation and explosion from damaged seals

- Check seals for damage.
- Replace damaged seals.

⚠ WARNING

Risk of explosion and fire from leaking, gas-conducting parts

- Heed tightening torques for the screw connections.
- Check the gas connection line and all gas-conducting parts for leaks at the operating pressure.