



Compressor
Voltage Code : FZ

AE1390Y-FZ1A

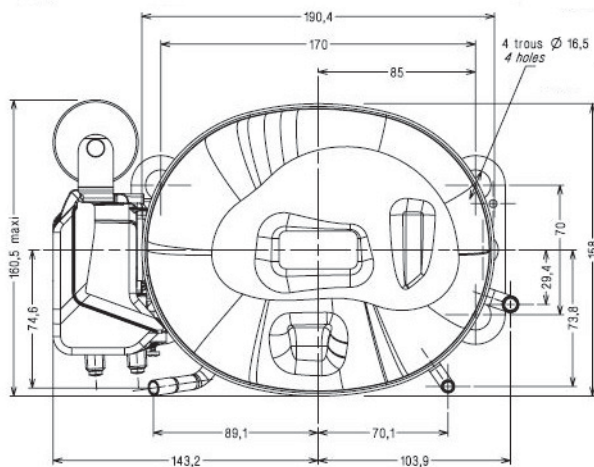
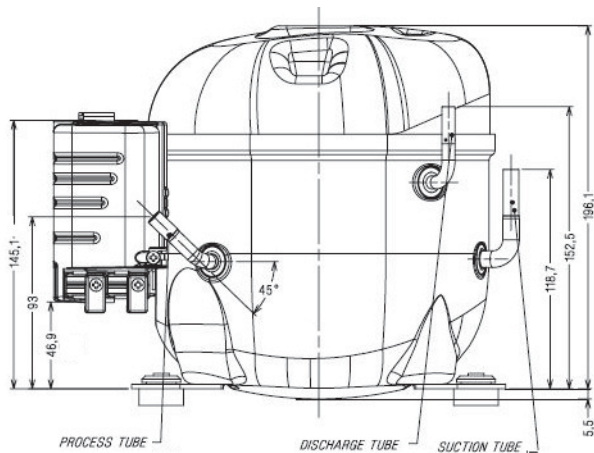
Domestic Refrigeration (BPM)

220 - 240V 1~ 50 Hz

R134a

AE1390Y-FZ1A

Conditions	Frequency	Nominal Cooling Capacity		Sound Power ISO3745 / ISO 3743-1
		Watts	BTU/h	
CECOMAF / R134a	50 Hz	159	541	



* CECOMAF : T°Cond. 55.0°C / T°Evap. -25.0°C / T°Return gas temp.. 32.0°C
T°Subcooling. 0.0K

Certificates :



Displacement (cc)	8,02
Net Weight (Kg)	9,7
Oil Quantity (cc)	280,0
Oil Type	Polyolester
Expansion Device	Capillary_Tube
Cooling	Fan
Main Winding (Ohm)	11,7
Start Winding (Ohm)	5,45
Current	
RLA (A)	1,4
MCC (A)	1,8
LRA (A)	15
Electrical Equipment	PTCSIR
Overload	4TM232TFBYY
Time Check	5s - 15s / 7.8 A
Open Temp	140° C
Close Temp	61° C
Optional	T24910
PTC	SR273102
Resistance	20 Ohms
Refrigerating connection for	
Suction Tube	6.35 (1/4")
Discharge Tube	4.76 (3/16")
Process Tube	6.35 (1/4")

Note : Tecumseh reserves the right to change information contained in this document without notification.



Tecumseh

AE1390Y-FZ1A	Tension FZ : 220 - 240V 1~ 50 Hz
---------------------	-----------------------------------------

Les performances sont données dans les conditions CECOMAF :	Gaz aspirés :	32.0 °C
Condition Dew	Sous refroidissement :	0.0 K
The performance data are in CECOMAF conditions :	Return gas :	32.0 °C
Dew Condition	Subcooling :	0.0 K

© 2021 Tecumseh Products Company
All rights reserved

50 Hz R134a

N°2967

4 T condensation	5 T évaporation	(°C)	-35	-30	-25	-20	-15	-10
35	1 P frigorifique	(Watt)	116	165	225	297	381	480
	2 P absorbée	(W)	135	152	169	187	206	227
	3 I absorbée	(A)	1.30	1.33	1.36	1.41	1.46	1.52
40	1 P frigorifique	(Watt)	107	153	209	276	356	449
	2 P absorbée	(W)	135	153	172	192	213	236
	3 I absorbée	(A)	1.30	1.33	1.37	1.42	1.48	1.55
50	1 P frigorifique	(Watt)	87.2	127	176	236	306	388
	2 P absorbée	(W)	133	154	176	199	225	252
	3 I absorbée	(A)	1.29	1.33	1.38	1.44	1.51	1.60
60	1 P frigorifique	(Watt)		95.7	139	192	254	327
	2 P absorbée	(W)		151	176	203	232	264
	3 I absorbée	(A)		1.33	1.38	1.45	1.53	1.63

1 = cooling capacity 2 = power input 3 = current 4 = condensing temperature 5 = evaporating temperature

Nota : Tecumseh se réserve le droit de modifier les informations contenues dans ce document sans préavis.

Note : Tecumseh reserves the right to change information contained in this document without notification.