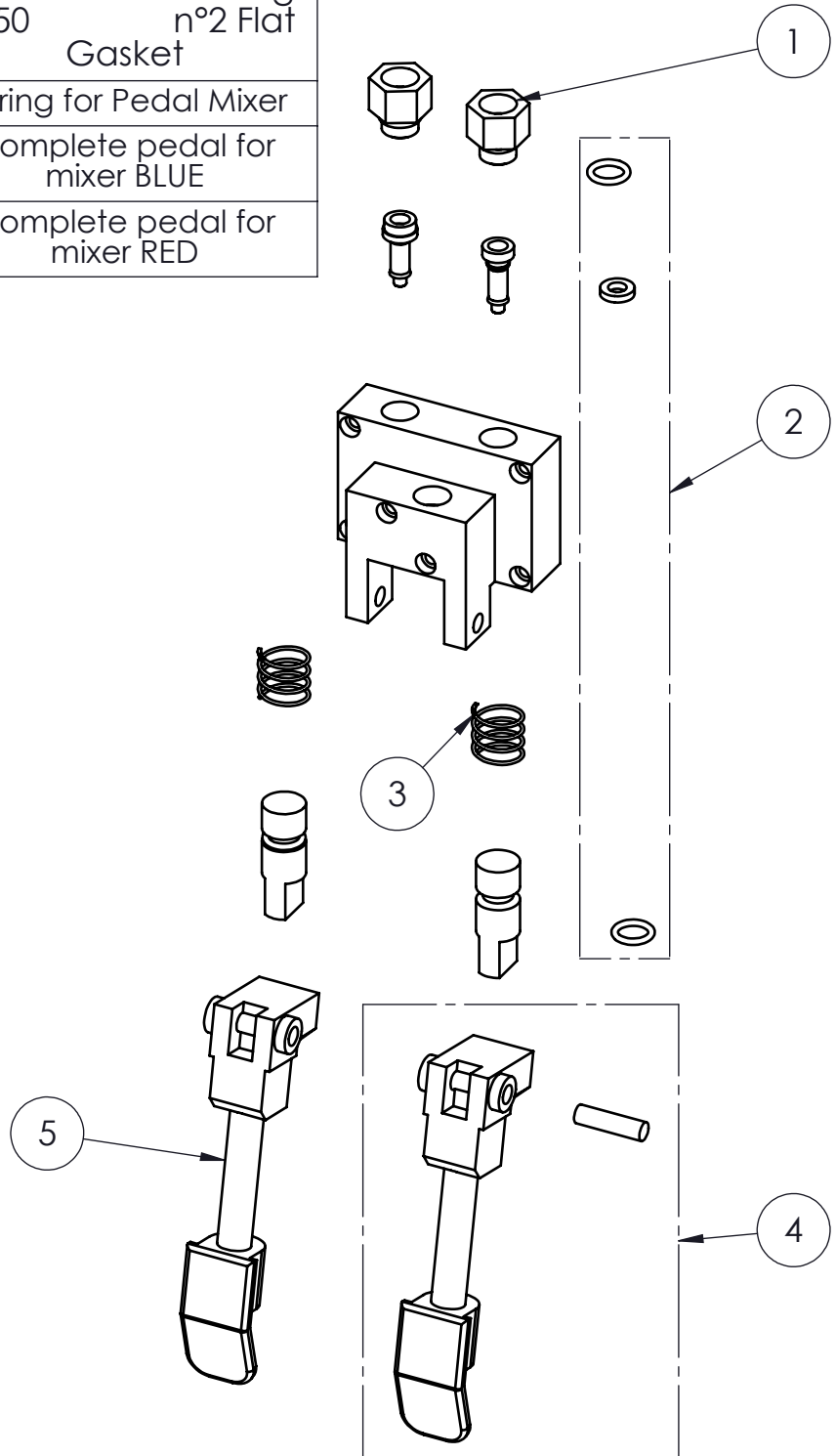


Double pedal tap mixer, nickel plated brass,  
double valve, stainless steel levers,  
loor mounting or suspended under sink  
Functioning  
Push down the blue pedal: supply of cold water  
Push down the red pedal: supply of hot water  
Contemporary pressure of red and blue pedals: release of mixed water

TITLE / DESCRIZIONE	DRN / DIS	CHD / VER	APPR
Floor- mount double pedal mixing valve . G3/8" Female Inlets and G3/8" Female Outlet.	SCALE / SCALA	DATE / DATA	SHEET / PAG
	1:3	01/10/2020	1 of 2
NUMBER / CODICE DIS.		MODEL / PRODOTTO	
		6S.6023.00.00	

ITEM NO.	SALES NO.	DESCRIPTION
1	P406	Fitting F3/8"G w. O-Ring 3050
2	P401	KIT gaskets for Pedal Mixer n°4 O-Ring 3050 n°2 Flat Gasket
3	P407	Spring for Pedal Mixer
4	P408/B	Complete pedal for mixer BLUE
5	P408/R	Complete pedal for mixer RED



TITLE / DESCRIZIONE

Floor- mount double pedal mixing valve . G3/8" Female Inlets and G3/8" Female Outlet.

DRN / DIS

CHD / VER

APPR

SCALE /  
SCALA 1:3

DATE /  
DATA 01/10/2020

SHEET /  
PAG 2 of 2