



406-AN NARROW KETCHUP DISPENSER

Standard Features



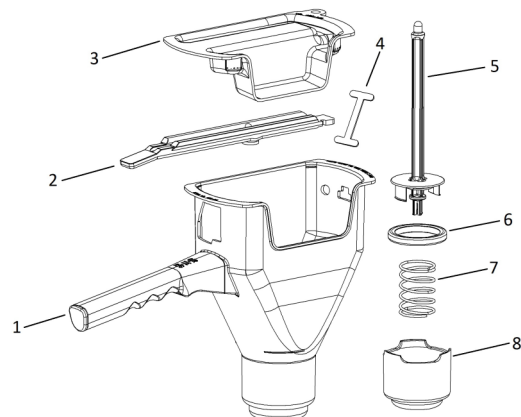
- New slim/narrow design uses less prep table space
- Capacity: 2 lbs (.91 kg) above refill line
- Dispenses 1/3 oz. (10 ml) for 10:1 or 1/2 oz. (15ml) for 4:1 patties
- This Dispenser now uses a simplified pump with fewer parts that are easier to assemble and maintain
- Positive pump action provides accurate portion every time
- Lightweight plastic shell
- Includes cover with tether attachment to reduce loss
- Easy calibration - no tools required
- 2 year warranty covers manufacturers defects

SPECIFICATIONS:

DIMENSIONS:

Model #	Container in (cm)	Height in (cm)	Shipping Weight lb (kg)	Shipping cu.ft. (cu.m)
406-AN	6.25 x 3.50 (16.50 x 8.90)	9.13 (23.20)	3.00 (1.40)	.31 (.0088)

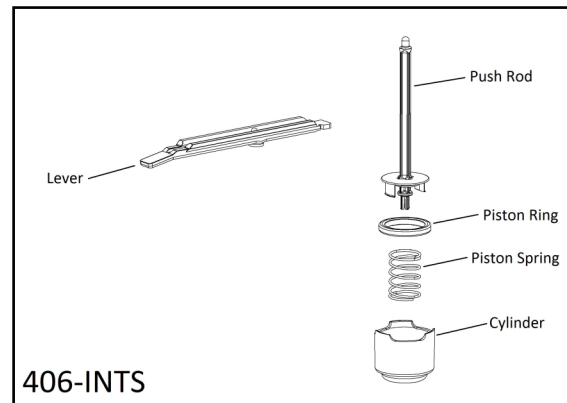
Item	Part No.	Description	Qty
1	406-151	Narrow Container	1
2	404-068	Lever	1
3	406-152	Narrow Lid	1
4	404-13	Tether	1
5	404-067	Piston Push Rod	1
6	404-069	Piston Ring	1
7	407-007	Piston Spring	1
8	404-066	Cylinder	1



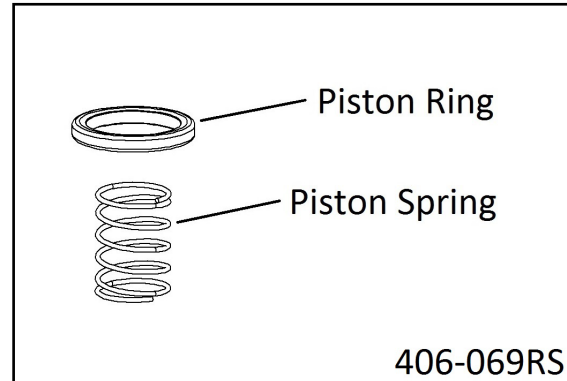


SPARE PARTS KITS

Part No.	Description	QTY
406-INTS - ALL INTERNAL REPLACEMENT PARTS		
404-068	Lever	1
404-067	Push Rod	1
404-069	Piston Ring	1
407-007	Piston Spring	1
404-066	Cylinder	1



Part No.	Description	QTY
406-069RS - SPRING & PISTON RING KIT		
404-069	Piston Ring	2
407-007	Piston Spring	2



Part No.	Description	QTY
406-152S - LID & TETHER		
406-152	Narrow Lid	1
404-067	Tether	1

